

1 Spring Kits:

Foot Size	Foot Size	Foot Size	Foot Size
22-24	25-26	27-28	29-30
Set 1 - 539301	Set 1 - 539510	Set 1 - 539519	Set 1 - Special order only
Set 2 - 539302	Set 2 - 539511	Set 2 - 539520	Set 2 - Special order only
Set 3 - 539303	Set 3 - 539512	Set 3 - 539521	Set 3 - 539530
Set 4 - 539304	Set 4 - 539513	Set 4 - 539522	Set 4 - 539531
Set 5 - 539305	Set 5 - 539514	Set 5 - 539523	Set 5 - 539532
Set 6 - 539306	Set 6 - 539515	Set 6 - 539524	Set 6 - 539533
Set 7 - 539307	Set 7 - 539516	Set 7 - 539525	Set 7 - 539534
Set 8 - 539308	Set 8 - 539517	Set 8 - 539526	Set 8 - 539535
	Set 9 - 539518	Set 9 - 539527	Set 9 - 539536

2 Foot shells:*

Left	Part Number	Right	Part Number
22L	539038	22R	539039
23L	539040	23R	539041
24L	539042	24R	539043
25L	539044	25R	539045
26L	539046	26R	539047
27L	539048	27R	539049
28L	539050	28R	539051
29L	539052	29R	539053
30L	539054	30R	539055

*For dark tone add suffix D

3 Glide Sock: Sizes 22 to 26 - **531011** Sizes 27 to 30 - **532811**

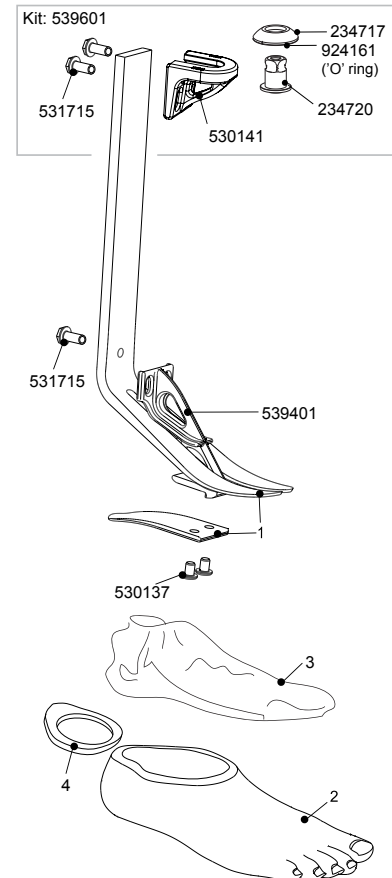
4 Cosmetic Interface*

Size	Left	Right	Size	Left	Right
22cm	530138	530138	23cm	530138	530138
24cm	530138	530138	25cm	531035	531035
26cm	531035	531035	27cm	531935	531935
28cm	531936	531936	29cm	532831	532832
30cm	532833	532834			

*For dark tone add suffix D

Fitting clamp - 941255 fitting clamp for alignment and set-up. Use also as cutting and drilling guide. Available separately

Fitting Instruction: 938306



Build part numbers are for assembly guidance only and may not be for sale separately